

# Preset counters electromechanic

1 preset, adding

Display 6-digits, manual reset button

## FE504



FE504 - socket box

### Features

- Preset counter with one preset
- Adding
- Display 6-digits
- With reset button
- Socket housing

### Technical data - electrical ratings

Voltage supply	24/110 VAC $\pm 10\%$ (50/60 Hz) 230 VAC $+6/-10\%$ (50/60 Hz) 24 VDC $\pm 10\%$
Residual ripple	<48 %
Nominal frequency	50 / 60 Hz
Pulse ratio	1:1
Service life	VDC - 100 million impulses VAC - 50 million impulses
Preset	1 preset
Output contact	Change-over contact by micro-switch, one-pole
Switching capacity	100 VA / 30 W
Limit switch lifetime	1 million switching cycles
Spark extinguisher	Recommended for inductive load
Standard DIN EN 61010-1	Protection class II Overvoltage category II Pollution degree 2
Emitted interference	DIN EN 61000-6-4
Interference immunity	DIN EN 61000-6-2

### Technical data - mechanical design

Display	White numbers on black
Number of digits	6-digits
Digit height	4.5 mm
Count mode	1 impulse = 1 count
Step-by-step switching	Adding in 2 half steps
Measuring range	999 999
Zero setting	Manual by reset button
Ambient temperature	0...+45 °C
Storage temperature	-20...+70 °C
Relative humidity	80 % non-condensing
Protection DIN EN 60529	IP 41
Housing type	Socket box
Connection	Soldering pins (flat)
Mounting type	Socket box
Dimensions W x H x L	50 x 50 x 88.1 mm
Cutout dimensions	50 x 50 mm
Mounting depth	88.3 mm
Weight approx.	160 g
Material	Housing: Noryl PPO, black

# Preset counters electromechanic

1 preset, adding  
Display 6-digits, manual reset button

FE504

## Trigger level

### Max. counting speed 10 pulses/s

Voltage	24/110 VAC ±10 % 230 VAC +6/-10 %
---------	--------------------------------------

Power	3 VA
-------	------

Min. pulse duration	50 ms
---------------------	-------

Min. pulse interval	50 ms
---------------------	-------

Switch on time (at 25 °C)	100 %
---------------------------	-------

### Max. counting speed 20 pulses/s

Voltage	24 VDC ±10 %
---------	--------------

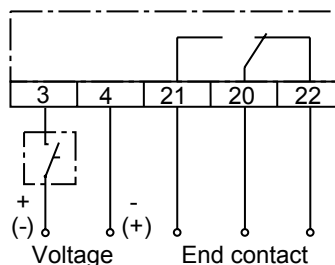
Power	2 W
-------	-----

Min. pulse duration	25 ms
---------------------	-------

Min. pulse interval	25 ms
---------------------	-------

Switch on time (at 25 °C)	100 %
---------------------------	-------

## Connection diagram



## Accessories

### Front panels

10125138	Front panel with transparent protective cover, for socket box 50 x 50 mm (Z 100.02A)
----------	--

### Front frames

10124120	Front frame with knob lock provided on transparent cover (Z 102.01A)
----------	--

11034050	Front frame with cylinder lock provided on transparent cover (Z 102.02A)
----------	--

10125089	Front frame, insertion cutout 50 x 50 mm (Z 107.02A)
----------	--

# Preset counters electromechanic

1 preset, adding

Display 6-digits, manual reset button

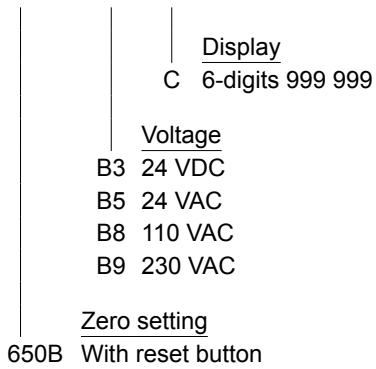
## FE504

---

### Part number

FE504. 

650B		C
------	--	---



# Preset counters electromechanic

1 preset, adding

Display 6-digits, manual reset button

FE504

## Dimensions

