

Tachometers

Small tachometers and frequency displays

Display LCD, 5-digits

ISI36



ISI36 - tachometer

Features

- Tachometer and frequency display
- Display unit 1/s
- Input frequency range 1 Hz...12 kHz

Technical data - electrical ratings

Voltage supply	Lithium battery (approx. 8 years at 20 °C)
Display	LCD, 7-segment display
Number of digits	5-digits
Digit height	8 mm
Display illumination	24 VDC \pm 20 %, 50 mA
Display range	0...12000
Display refresh	1 s
Display unit	1/s
Function	Tachometers, Frequency display
Measuring principle	Gate time measurement 1 s
Accuracy	\leq 0.05 %
Input logic	NPN / PNP
Counting frequency	30 Hz, 7 kHz, 12 kHz
Control	NPN, PNP, Floating contact
Emitted interference	DIN EN 61000-6-4
Interference immunity	DIN EN 61000-6-2
Approval	UL/cULus

Technical data - mechanical design

Ambient temperature	-10...+60 °C
Storage temperature	-20...+70 °C
Relative humidity	80 % non-condensing
Core cross-section	2.5 mm ² fine wire AWG 12
Protection DIN EN 60529	IP 65 (face with seal)
Housing type	Built-in housing
Housing colour	Deep grey, RAL 7021
Dimensions W x H x L	48 x 24 x 48 mm
Cutout dimensions	45 x 22.2 mm (+0.3)
Mounting depth	47.7 mm
Mounting type	Clip frame or screw mount
Weight approx.	50 g

Tachometers

Small tachometers and frequency displays

Display LCD, 5-digits

ISI36

Type table

ISI36 - Frequency display/Tachometer

Without backlit With backlit	ISI36.010AA01 ISI36.010AB01	ISI36.011AA01 ISI36.011AB01	
Version	NPN	PNP	
Brief description	Fast and slow frequency measuring (1/s)	Fast and slow frequency measuring (1/s)	
Signal input INP A	Fast measuring NPN, 7 kHz	Fast measuring PNP, 12 kHz	
Signal input INP B	Slow measuring NPN or contact, 30 Hz	Slow measuring PNP or contact, 30 Hz	

Tachometers

Small tachometers and frequency displays

Display LCD, 5-digits

ISI36

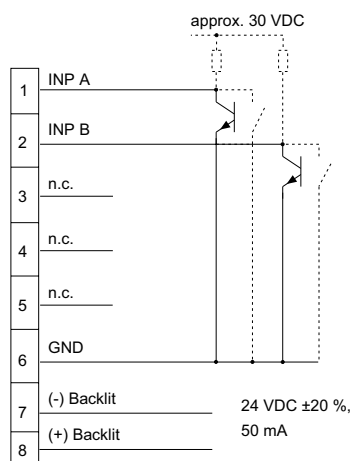
Part number

ISI36.01 **A** **01**

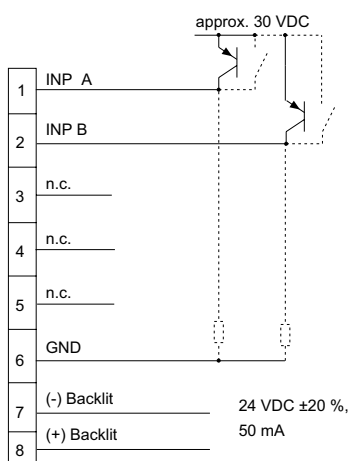
- Display
 - A Without backlit
 - B With backlit
- Design
 - 0 NPN 7 kHz, contact 30 Hz
 - 1 PNP 12 kHz, contact 30 Hz

Connection diagram

DC, NPN



DC, PNP



Tachometers

Small tachometers and frequency displays

Display LCD, 5-digits

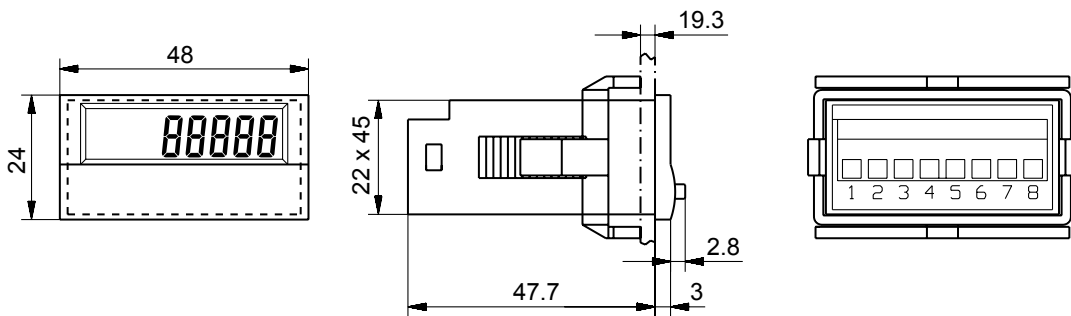
ISI36

Trigger level

Inputs	Input circuit
NPN inputs	Comparator (pin 1+2)
Input level Low	0...0.7 VDC
Input level High	3...30 VDC
Input resistance	1 MΩ
PNP inputs	Comparator (pin 1+2)
Input level Low	0...0.7 VDC
Input level High	4...30 VDC
Input resistance	100 kΩ

Dimensions

ISI36



Front frame for screw/clip mount (included with delivery)

