

Totalizers electromechanic

Impulse counters adding, screw mount

Display 6-digits, with reset button

F 364



F 364 - Front panel with screw mount

Features

- Impulse counter
- Adding
- Display 6-digits
- With reset button
- Front panel with screw mount

Technical data - electrical ratings

Voltage supply	24/110 VAC $\pm 10\%$ (50/60 Hz) 230 VAC $+6/-10\%$ (50/60 Hz) 24 VDC $\pm 10\%$
Residual ripple	<48 %
Nominal frequency	50 / 60 Hz
Power consumption	2.2 W, 2.4 VA
Pulse ratio	1:1
Service life	100 million impulses
Standard DIN EN 61010-1	Protection class II Overvoltage category II Pollution degree 2
Emitted interference	DIN EN 61000-6-4
Interference immunity	DIN EN 61000-6-2

Technical data - mechanical design

Display	White numbers on black
Number of digits	6-digits with reset button
Digit height	4.5 mm
Count mode	1 impulse = 1 count
Step-by-step switching	Adding in 2 half steps
Measuring range	999 999
Zero setting	Manual by reset button
Ambient temperature	0...+45 °C
Storage temperature	-20...+70 °C
Relative humidity	80 % non-condensing
Protection DIN EN 60529	IP 41
Housing type	Built-in housing
Connection	Screw terminal connector
Mounting type	Front panel with 4 screws
Dimensions W x H x L	66.5 x 37 x 75 mm
Cutout dimensions	51 x 26 mm
Mounting depth	72 mm
Weight approx.	100 g
Material	Housing: Noryl PPO, black

Totalizers electromechanic

Impulse counters adding, screw mount
Display 6-digits, with reset button

F 364

Trigger level

Max. counting speed 10 pulses/s

Voltage	24/110 VAC $\pm 10\%$ 230 VAC +6/-10 %
---------	---

Power	2.4 VA
-------	--------

Min. pulse duration	50 ms
---------------------	-------

Min. pulse interval	50 ms
---------------------	-------

Switch on time (at 25 °C)	100 %
---------------------------	-------

Max. counting speed 20 pulses/s

Voltage	24 VDC $\pm 10\%$
---------	-------------------

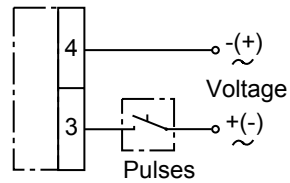
Power	2.2 W
-------	-------

Min. pulse duration	25 ms
---------------------	-------

Min. pulse interval	25 ms
---------------------	-------

Switch on time (at 25 °C)	100 %
---------------------------	-------

Connection diagram



Totalizers electromechanic

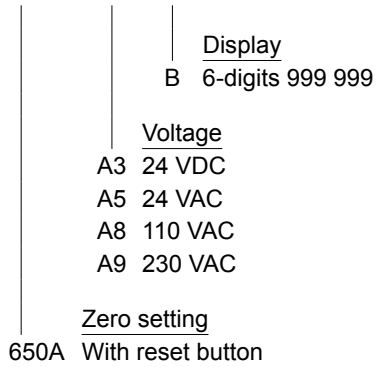
Impulse counters adding, screw mount
Display 6-digits, with reset button

F 364

Part number

F 364.

650A		B
------	--	---



Totalizers electromechanic

Impulse counters adding, screw mount
Display 6-digits, with reset button

F 364

Dimensions

F 364 with reset button, 6-digits

