

Preset counters electromechanic

1 preset, subtracting, permanent precontact

Display 5 digits, manual/electric reset (zero)

FS329



FS329 - front panel with spring clip mount

Features

- Preset counter with one preset
- Subtracting
- Display 5-digits
- Manual and electric reset
- Front panel with spring clips mount

Technical data - electrical ratings

| | |
|----------------------------|---|
| Voltage supply | 24/110 VAC $\pm 10\%$ (50/60 Hz) 230 VAC $+6/-10\%$ (50/60 Hz) 24 VDC $\pm 10\%$ |
| Residual ripple | <48 % |
| Nominal frequency | 50 / 60 Hz |
| Pulse ratio | 1:1 |
| Service life | 100 million impulses |
| Preset | 1 preset |
| Output contact | Change-over contact by micro-switch, one-pole |
| Switching capacity | 100 VA / 30 W |
| Limit switch lifetime | 1 million switching cycles |
| Spark extinguisher | Recommended for inductive load |
| Precontact | Permanent precontact as permanent contact (please indicate desired value when ordering) |
| Standard DIN EN 61010-1 | Protection class II Overvoltage category II Pollution degree 2 |
| Emitted interference | DIN EN 61000-6-4 |
| Interference immunity | DIN EN 61000-6-2 |

Technical data - mechanical design

| | |
|-------------------------|---|
| Display | White numbers on black |
| Number of digits | 5-digits |
| Digit height | 4.5 mm |
| Count mode | 1 impulse = 1 count |
| Step-by-step switching | Subtracting in 2 half steps |
| Measuring range | 99 999 |
| Zero setting | Manual by reset button and electric reset |
| Ambient temperature | 0...+45 °C |
| Storage temperature | -20...+70 °C |
| Relative humidity | 80 % non-condensing |
| Protection DIN EN 60529 | IP 41 |
| Housing type | Built-in housing |
| Connection | Soldering pins (flat) |
| Mounting type | Front panel with spring clips |
| Dimensions W x H x L | 53.2 x 53.2 x 61 mm |
| Cutout dimensions | 51 x 51 mm |
| Mounting depth | 77.5 mm |
| Weight approx. | 150 g |
| Material | Housing: Noryl PPO, black |

Preset counters electromechanic

1 preset, subtracting, permanent precontact

Display 5 digits, manual/electric reset (zero)

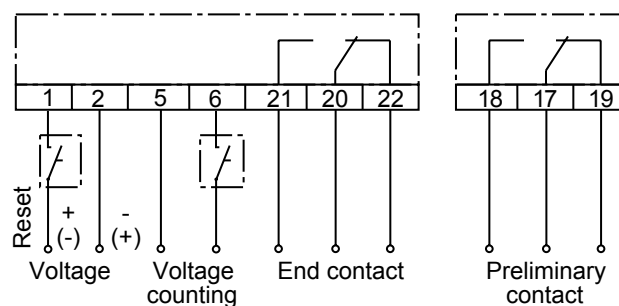
FS329

Trigger level

| Count | Voltage DC | Voltage AC |
|---------------------------|------------|------------|
| Power | 2.2 W | 2.4 VA |
| Min. pulse duration | 25 ms | 50 ms |
| Min. pulse interval | 25 ms | 50 ms |
| Switch on time (at 25 °C) | 100 % | 100 % |

| Electronic reset | Voltage DC | Voltage AC |
|---------------------------|--------------------|--------------------|
| Power | 22 W | 25 VA |
| Min. pulse duration | 250 ms | 250 ms |
| Min. pulse interval | 9x pulse duration | 9x pulse duration |
| Switch on time (at 25 °C) | 10 % max. 1 min | 10 % max. 1 min |

Connection diagram



Preset counters electromechanic

1 preset, subtracting, permanent precontact

Display 5 digits, manual/electric reset (zero)

FS329

Part number

FS329.

Precontact

- B Without permanent precontact
- K With permanent precontact

Voltage

- A3 24 VDC
- A5 24 VAC
- A8 110 VAC
- A9 230 VAC

Zero setting

- 550A With button reset and electric reset
- 551A With button reset and electric reset, permanent precontact

Preset counters electromechanic

1 preset, subtracting, permanent precontact

Display 5 digits, manual/electric reset (zero)

FS329

Dimensions

