

# Time and hours meters electronic

Count input for PNP, NPN or AC logic

Display LCD, 8-digits, coded time range

## ISI35



ISI35 - Hour counter

### Features

- Time and hour counter
- Time range 9999 h 59 min 59 s / 9999999.9 s

### Technical data - electrical ratings

Voltage supply	Lithium battery (approx. 8 years at 20 °C)
Display	LCD, 7-segment display
Display illumination	24 VDC $\pm$ 20 %, 50 mA
Number of digits	8-digits
Digit height	8 mm
Function	Hour counter
Count mode	Adding
Control	NPN, PNP, Pulses 10...260 VAC/VDC
Reset	Button and electric
Keylock	Yes, electric (keylock)
Emitted interference	DIN EN 61000-6-4
Interference immunity	DIN EN 61000-6-2
Programmable parameters	Time range
Approval	UL/cULus

### Technical data - mechanical design

Ambient temperature	-10...+60 °C
Storage temperature	-20...+70 °C
Relative humidity	80 % non-condensing
Core cross-section	2.5 mm <sup>2</sup> fine wire AWG 12
Protection DIN EN 60529	IP 65 (face with seal)
Housing type	Built-in housing
Housing colour	Deep grey, RAL 7021
Dimensions W x H x L	48 x 24 x 48 mm
Mounting depth	47.7 mm
Mounting type	Clip frame or screw mount
Cutout dimensions	45 x 22.2 mm (+0.3)
Weight approx.	50 g

# Time and hours meters electronic

Count input for PNP, NPN or AC logic

Display LCD, 8-digits, coded time range

ISI35

## Type table

Without backlit With backlit	ISI35.010AA01 ISI35.010AB01	ISI35.011AA01 ISI35.011AB01	ISI35.013AA01 ISI35.013AB01
Version	NPN	PNP	AC/DC
Brief description	Time in: - Hours, minutes, sec. - Seconds and 1/10 sec.	Time in: - Hours, minutes, sec. - Seconds and 1/10 sec.	Time in: - Hours, minutes, sec. - Seconds and 1/10 sec.
Signal input INP A	–	–	Timer AC/DC
Signal input INP B	Timer NPN	Timer PNP	External reset AC/DC
Operating mode	9999 h 59 min 59 s or 999999.9 h	9999 h 59 min 59 s or 999999.9 h	9999 h 59 min 59 s or 999999.9 h

# Time and hours meters electronic

Count input for PNP, NPN or AC logic

Display LCD, 8-digits, coded time range

## ISI35

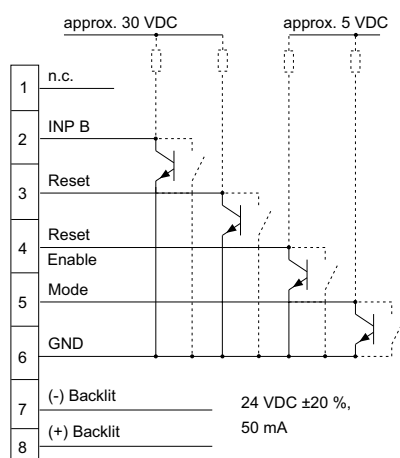
### Part number

ISI35.01   **A**   **01**

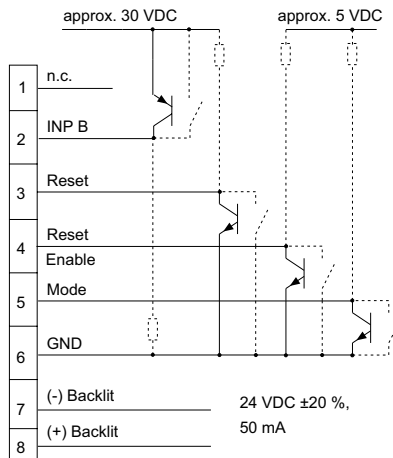
- Display
  - A Without backlit
  - B With backlit
- Design
  - 0 NPN
  - 1 PNP
  - 3 AC/DC

### Connection diagram

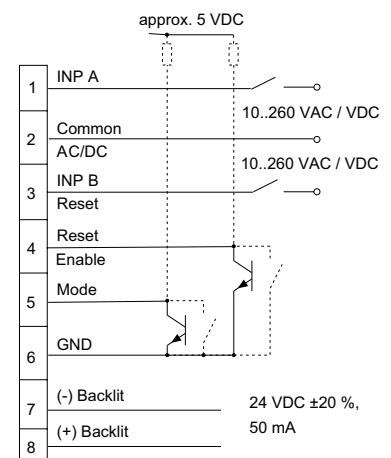
#### DC, NPN



#### DC, PNP



#### AC/DC



# Time and hours meters electronic

Count input for PNP, NPN or AC logic

Display LCD, 8-digits, coded time range

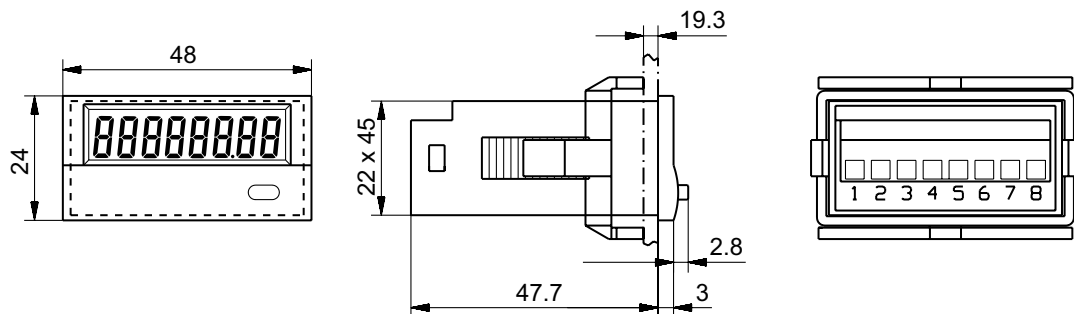
ISI35

## Trigger level

Input	Input circuit	Reset input for DC-Version	
<b>NPN input</b>	<b>Comparator (pin 2)</b>	<b>NPN reset input</b>	<b>Pin 3</b>
Input level Low	0...0.7 VDC	Input level Low	0...0.7 VDC
Input level High	3...30 VDC	Input level High	3...30 VDC
Input resistance	1 M $\Omega$	Input resistance	2,2 M $\Omega$
		Min. pulse time	50 ms
<b>PNP input</b>	<b>Comparator (pin 2)</b>	<b>NPN control inputs</b>	<b>Pin 4 + 5</b>
Input level Low	0...0.7 VDC	Input level Low	0...0.7 VDC
Input level High	4...30 VDC	Input level High	3...5 VDC
Input resistance	100 k $\Omega$	Input resistance	2.2 M $\Omega$
<b>AC/DC inputs</b>	<b>Optocoupler (pin 1 + 3)</b>		
Input level Low	0...2 VAC/VDC		
Input level High	10...260 VAC/VDC		
Input resistance	160 k $\Omega$		
Min. pulse time	16 ms		

## Dimensions

ISI35



Front frame for screw/clip mount (included with delivery)

