

Overview

- Hand-held counter to count persons or pieces
- With metal housing
- Display 4-digits, reset button
- Inventory
- In production processes
- Traffic recording
- In cinemas, on sports grounds, at ski lifts



Technical data

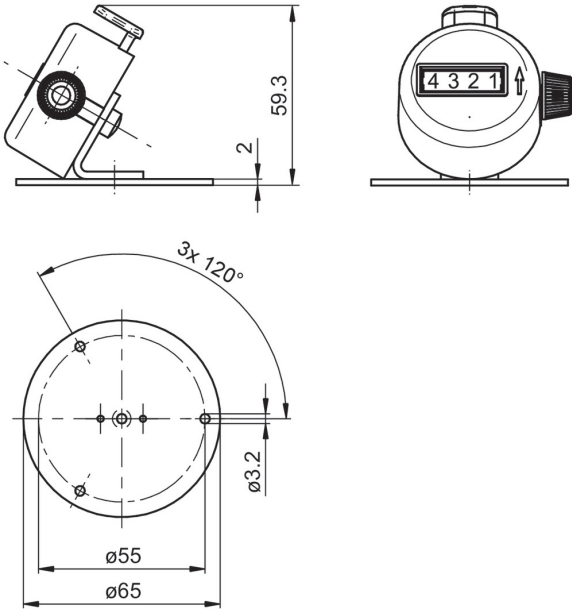
Technical data - mechanical design

Function	Hand-held piece counter, table mount
Display	White numbers on black
Number of digits	4-digits
Digit height	4.5 mm
Zero setting	Reset by knurled knob
Count mode	1 button touch = 1 count
Measuring range	9999

Technical data - mechanical design

Ambient temperature	0...+60 °C
Housing type	Housing with ground plate (table mount)
Housing colour	Silver
Dimensions mounting plate	ø65 mm
Mounting type	Base / mounting plate with 3 holes
Weight approx.	190 g
Material	Zinc/die-cast alloy

Dimensions



T 123

Ordering reference

T 123.010 A

Product

T 123.010

Housing

With plate for table mount

A